

**BALDOR® • RELIANCE** 

**Product Information Packet**

**D50200RR-BV**

**200HP, 1750RPM, DC, 3214ATZ, DPG-FV,**

Part Detail							
Revision:	-	Status:	PRD/A	Change #:		Proprietary:	No
Type:	DC	Prod. Type:		Elec. Spec:	G8032B F	CD Diagram:	406770-006
Enclosure:	DP	Mfg Plant:		Mech. Spec:		Layout:	616032-001
Frame:	UC321	Mounting:	F2	Poles:	00	Created Date:	04-09-2015
Base:		Rotation:	R	Insulation:	F	Eff. Date:	04-13-2015
Field Type:		Literature:		Elec. Diagram:		Replaced By:	

Specs			
Enclosure:	DP		
Frame:	UC3214ATZ		
Frame Material:	Steel		
Agency Approvals:	CCSA US		
Base Indicator:	Rigid		
Bearing Grease Type:	Polyrex EM (-20F +300F)		
Drip Cover:	No Drip Cover		
Duty Rating:	CONT		
Feedback Device:	NO FEEDBACK		
Field Winding Type:	STR. SHUNT		
Frame Prefix:	UC		
Heater Indicator:	No Heater		
Insulation Class:	F		
Lifting Lugs:	Standard Lifting Lugs		
Mounting Arrangement:	F2		
Shaft Extension Location:	Pulley End		

<b>Shaft Ground Indicator:</b>	No Shaft Grounding		
<b>Shaft Slinger Indicator:</b>	No Slinger		
<b>Motor Standards:</b>	NEMA		
<b>Thermal Device - Bearing:</b>	None		



Parts List		
Part Number	Description	Quantity
SA297029	SA T32T1322	1.000 EA
AA016080	AA T32T1322	1.000 EA
000613006HP	NAMEPLATE - RPM III D-C MOTOR W/CSA LOGO	1.000 EA
000692000FP	NP, WARNING LIFT INSTRUCTIONS	1.000 EA
000692000FS	WARNING LABEL	1.000 EA
036170004EA	ROUND HEAD DRIVE SCREW	6.000 EA
406770006	C/D TAG STRAIGHT SHUNT	1.000 EA
416822013AD	NU217 AFBMA3 BRS RBEC1 S SLUSH	1.000 EA
036000014JB	M8 X 1.25X14MM HXHDCS	4.000 EA
036000020KB	MHHCS M10-1.5X20MM PLTD.	4.000 EA
036501009AB	M8-1.25 X 9MM HEX NUTS	8.000 EA
036600009AB	METRIC FLWASH M8 PLATED	4.000 EA
036610010AB	MHSLW M10 PLATED	4.000 EA
419904052AF	BRUSH EXTRUDER DUTY C	8.000 EA
419905003A	FLAT WASHER ROCKER RPM III RGG	4.000 EA
419905004A	HARDWARE	8.000 EA
706364052E	BRHLD METRIC SPRING CHG.	4.000 EA
706372012RA	ROCKR METRIC	1.000 EA
034693001AB	PPLG - G508- use 034692001AB	1.000 EA
034693001AB	PPLG - G508- use 034692001AB	1.000 EA
035000001A	ALFTG 1/8" 1610-BL	1.000 EA
035000001BB	GREASE FTG,GRS.IN	1.000 EA
036000060KB	HHCS,DE CAP	3.000 EA
036100060JA	M8-1.25 X 60MM HXSOCHDCS	3.000 EA

Parts List (continued)		
Part Number	Description	Quantity
036500013AB	HX NUT,ODE BRKT	4.000 EA
036500013AB	HX NUT,ODE BRKT	4.000 EA
048977006C	GRFTG - XP	1.000 EA
418150003A	GREASE FITTING CAP	2.000 EA
609830005AAZ	TBOLT METRIC	4.000 EA
801930102A	BRKT,ODE,C320	1.000 EA
801931102B	BRKT,DE,C320	1.000 EA
000613006NT	NAME PLATE IEC	1.000 EA
032018004CK	HHCS 3/8-16X1/2L PLATED	4.000 EA
032018006CK	HHCS 3/8-16X3/4L PLATED	4.000 EA
036000025JB	HHCS M8X25MM LONG PLATED	4.000 EA
034017014AB	LCKW 3/8 STD. PLATED	4.000 EA
036000012JB	M8-1.25 X 12MM HXHDC	3.000 EA
036000020JB	HHCS M8-1.25X20L PLTD-250	6.000 EA
036010020HB	SEMS SCR,BRHLDR	8.000 EA
036100035JA	M8-1.25 X 35MM HXSOCHDCS	4.000 EA
036600009AB	METRIC FLWASH M8 PLATED	3.000 EA
036620009AB	M8 EXTERNAL LK WASHER	1.000 EA
410978010E	INLET FLGE	1.000 EA
410978019A	SCREEN, INLET FLANGE	1.000 EA
417733004F	GASKT	1.000 EA
418014011A	ADAPT	1.000 EA
418018074A	GROUND LABEL G100 METRIC 160 D.C.	1.000 EA
418153001A	GASK 440	1.000 EA

Product Information Packet: D50200RR-BV - 200HP,1750RPM,DC,3214ATZ,DPG-FV,

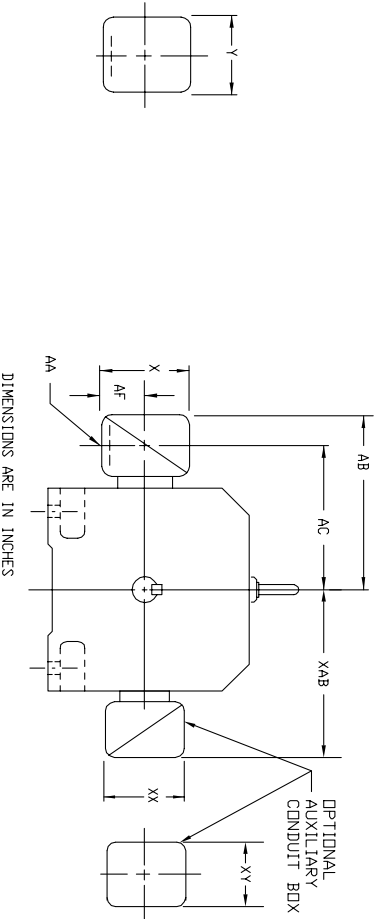
422919079	HHCVR KIT, C320, DE, SOLID	1.000 EA
422919081	HHCVR KIT, C320, DE, LOUVER	1.000 EA
422919081	HHCVR KIT, C320, DE, LOUVER	1.000 EA
422919090	HHCVR KIT,C320,ODE,SOLID	1.000 EA
422919090	HHCVR KIT,C320,ODE,SOLID	1.000 EA
603529001L	GASKT	1.000 EA
610490001DG	2HP,3450//2890RPM,3PH,60//50HZ,56C,3532M	1.000 EA
611917002G	GASKT	1.000 EA
611965001A	WHEEL, BLOWER	1.000 EA
702658001C	CONDUIT BOX, STEEL, E440 5" LEAD OUTLET	1.000 EA
702658002A	+C/BOX CVR, PAINTED 440	1.000 EA
706305026A	GUARD,SHAFT	1.000 EA
708528004E	BLOWER HOUSING	1.000 EA
000640000P	TAG WINDING THERMOST	1.000 EA
000692000NG	LABEL ;NP 4POLE METRIC LABEL	1.000 EA
032018024DK	HHCS 1/2-13X3L PLATED	1.000 EA
034001016AB	WSHR .562ID 1.375OD .109	1.000 EA
034180034JA	KEY 3/4X3/4X4-1/4 L	1.000 EA
418018116	WARNING PLATE	1.000 EA



609979-001

# INDUSTRIAL DIRECT CURRENT MOTORS AND GENERATORS – RPM III

STEEL AND CAST IRON TERMINAL BOX DIMENSIONS  
STANDARD SIZE AND ONE SIZE LARGER  
FRAMES C3210ATZ THRU C3613ATZ



STEEL TERMINAL BOX DIMENSIONS

FRAME SIZE	MAX. AMP'S	STANDARD SIZE						PART NUMBER	ONE SIZE LARGER						PART NUMBER
		AA(1)	AB	AC	AF	X	Y		AA(1)	AB	AC	AF	X	Y	
C3210ATZ	128	2	14.88	11.38	4.25	8.44	7.25	74874-R	3	15.31	12.06	4.25	8.44	7.25	74874-24-R
C3212ATZ	185	3	15.31	12.06	4.25	8.44	7.25	74874-24-R	4	16.75	12.69	5.38	10.56	9.00	700308-3-R
C3214ATZ	269	4	16.75	12.69	5.38	10.56	9.00	700308-3-R	5	21.00	15.88	6.50	12.10	14.62	702658-1-C
	500	5	21.00	15.88	6.50	12.10	14.62	702658-1-C	5	21.00	15.88	6.50	12.10	14.62	702658-1-C
C3612ATZ	128	2	15.88	12.38	4.25	8.44	7.25	74874-R	3	16.31	13.06	4.25	8.44	7.25	74874-24-R
C3613ATZ	185	3	16.31	13.06	4.25	8.44	7.25	74874-24-R	4	17.75	13.69	5.38	10.56	9.00	700308-3-R
	269	4	17.75	13.69	5.38	10.56	9.00	700308-3-R	5	22.00	15.88	6.50	12.10	14.62	702658-1-C
	500	5	22.00	15.88	6.50	12.10	14.62	702658-1-C	5	22.00	15.88	6.50	12.10	14.62	702658-1-C

CAST IRON TERMINAL BOX DIMENSIONS

FRAME SIZE	MAX. AMP'S	STANDARD SIZE						PART NUMBER	ONE SIZE LARGER						PART NUMBER
		AA(2)	AB	AC	AF	X	Y		AA(2)	AB	AC	AF	X	Y	
C3210ATZ	128	1-1/2	13.62	11.19	3.00	6.00	7.00	7560-R	3	15.31	11.56	3.62	7.88	9.25	76700-RB
C3212ATZ	185	3	15.31	11.56	3.62	7.88	9.25	76700-RB	4	16.62	12.44	4.12	9.50	10.50	76708-RB
C3214ATZ	269	4	16.62	12.44	4.12	9.50	10.50	76708-RB	5	19.44	14.19	7.00	12.75	15.00	76870-S
	500	5	19.44	14.19	7.00	12.75	15.00	76870-S	6	19.44	14.19	7.00	12.75	15.00	76870-S
C3612ATZ	128	1-1/2	14.62	12.19	3.00	6.00	7.00	7560-R	3	16.31	12.56	3.62	7.88	9.25	76700-RB
C3613ATZ	185	3	16.31	12.56	3.62	7.88	9.25	76700-RB	4	17.62	13.44	4.12	9.50	10.50	76708-RB
	269	4	17.62	13.44	4.12	9.50	10.50	76708-RB	5	20.44	15.19	7.00	12.75	15.00	76870-S
	500	5	20.44	15.19	7.00	12.75	15.00	76870-S	6	20.44	15.19	7.00	12.75	15.00	76870-S

CONDUIT BOX DIMENSIONS WITH TERMINAL BOARDS (IEC TYPE BOX)

FRAME SIZE	AMP'S	STANDARD SIZE						PART NUMBER
		AB	AC	AF	X	Y		
C320	400	19.02	15.28	6.20	14.39	14.39	706310-63-B	
	800	19.02	15.28	6.20	14.39	14.39	706310-63-B	
	1600	19.02	15.28	6.20	14.39	14.39	706310-63-C	
C360	400	20.00	15.28	6.20	14.39	14.39	706310-63-B	
	800	20.00	15.28	6.20	14.39	14.39	706310-63-B	
	1600	20.00	15.28	6.20	14.39	15.35	706310-63-C	

FRAME SIZE	XAB	XX	OPTIONAL AUXILIARY CONDUIT BOX DIMENSIONS (MAXIMUM)			PART NUMBER			
			AA(3)	Y	XY				
C320	10.00	4.25	4.25	602007-26-A	C320	13.50	8.00	8.00	706310-3-B
C360	11.00	4.25	4.25	602007-26-A	C360	14.50	8.00	8.00	706310-3-B

- (1) AA' CONDUIT
- (2) AA' PIPE TAB
- (3) CUSTOMER TO PROVIDE HOLE FOR CONDUIT.
- TERMINAL BOX CAN BE ROTATED FOR LEAD OUTLET AT TOP, SIDES OR BOTTOM.
- TERMINAL BOX LOCATED ON OPPOSITE SIDE WHEN F-2, V-1, V-4, W-5, V-7.
- OR C-1 MOUNTING IS SPECIFIED. BOX LOCATED ON TOP WHEN SPECIFIED.
- FOR X/P TERMINAL BOX DIMENSIONS SEE 609979-05979-3.
- FOR Y/P TERMINAL BOX DIMENSIONS SEE 609979-05979-3.

CUSTOMER IS RESPONSIBLE FOR DETERMINING THAT BALDOR'S PRODUCT WILL PERFORM SUITABLY IN THE INTENDED APPLICATION.

REV. DESC: LOAD TO BUS	VERSION: 00	TDR: 000000958110
REV. LTR: -	REVISED: 08:37:45 12/17/2015	BY: RGGWT
FILE: \RGG\00026\318		
MTL: -		

**BALDOR**

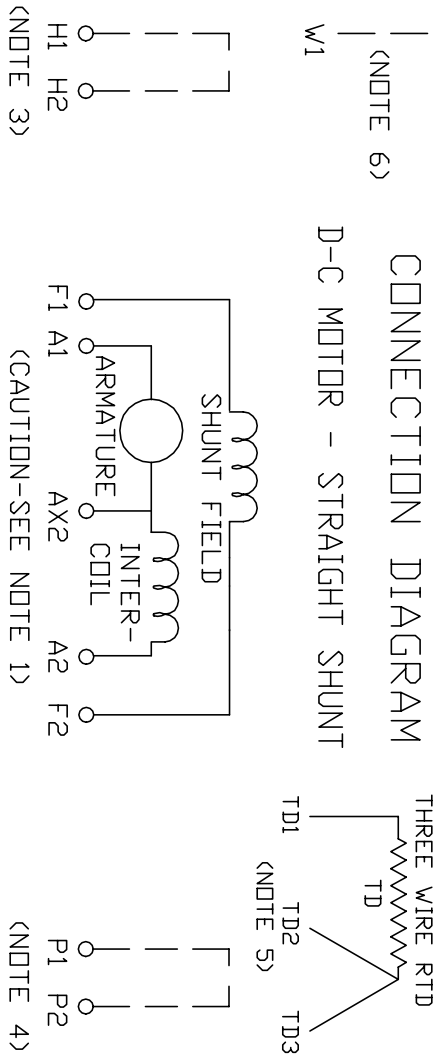
DIM SHT,C3210ATZ THRU C3613ATZ,W/AUX C/BOX

SH 1 of 1

100-646609

406770-006

406770-006



1. **CAUTION** — ARMATURE MAY HAVE MULTIPLE LEADS. CONNECT ALL LUGS WITH THE SAME MARKING TOGETHER.
2. OPTIONAL CONTROL SIGNAL LEAD IS MARKED AX2. ALWAYS TAKE INTERPOLE DROP BETWEEN A2 AND AX2. NOTE: NEMA DESIGNATION FOR AX2 IS LETTER C.
3. SPACE HEATERS, WHEN PROVIDED, WILL HAVE LEADS MARKED H1 AND H2, H3, H4, ETC.
4. THERMAL PROTECTOR, WHEN PROVIDED, WILL HAVE LEADS MARKED P1 AND P2, P3, P4, ETC.
5. WINDING RTD'S, WHEN PROVIDED, WILL HAVE LEADS MARKED TD1, TD2, & TD3.
6. BRUSH WEAR SENSOR, WHEN PROVIDED, WILL HAVE LEAD MARKED W1.
7. **WARNING** — MOTOR MUST BE GROUNDED TO PREVENT SERIOUS INJURIES TO PERSONNEL. GROUND THE MOTOR PER IEC, NATIONAL ELECTRICAL CODE AND ANY APPLICABLE LOCAL ELECTRICAL CODES. A TAPPED HOLE IS PROVIDED IN THE CONDUIT BOX, ON THE FOOT. FRAME BRACE OR OPPOSITE OPPOSITE DRIVE END BRACKET, ADJACENT TO THE TERMINAL BOX FOR FOR MOTOR GROUNDING. GROUND LEAD, WHEN PROVIDED, WILL BE GREEN.

CUSTOMER \_\_\_\_\_ RELIANCE \_\_\_\_\_  
 ORDER NO. \_\_\_\_\_ S.D. NO. \_\_\_\_\_

REV. DESC: UPDATE LOGO AND TITLEBLOCK: LOADED TO BUS		
REV. LTR: -	VERSION: 00	TDR: 000000781086
FILE: \RSN\00026\515	REVISED: 02: 41: 08 02/01/2013	
MTL: -	BY: MGHPC	

**BALDOR**

D-C MOTOR CONNECTION DIAGRAM, STRAIGHT SHUNT

SH 1 of 1

Marketing maintained PDF of MN602:

<http://www.baldor.com/support/Literature/Load.ashx/MN602?ManNumber=MN602>